

high performance inductive PD sensors

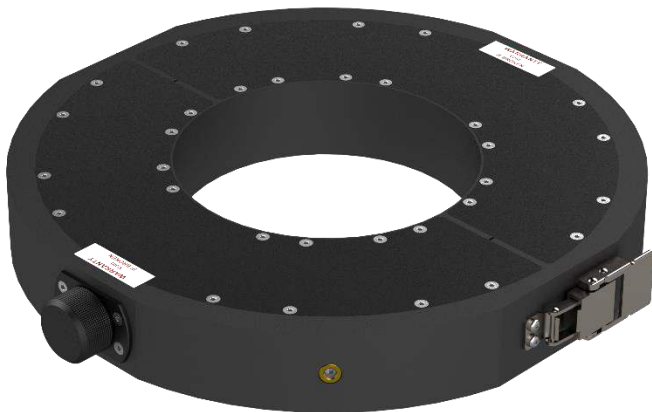
HFCT 140mm

TechImp Clamp High Frequency Current Transformer model 140 is an inductive sensor for partial discharge measurements. It is suitable for online /off line PD tests on:

- large diameter
- cables
- grounding rod bar
- etc

A TNC termination is available to connect the Clamp HFCT 140 to the TechImp PD analyzer: PDCheck , PDBase etc.

The arrow indicates the requested input current (lin) direction to get coherent output voltage (Vout) polarity respect to ground. When the sensor is installed with the arrow directed to ground, the detected voltage signal (Vout) has the same phase of the input current (lin).



Benefits

- Maintenance free
- High sensitivity and reliability
- Robust and easy to use
- Safety

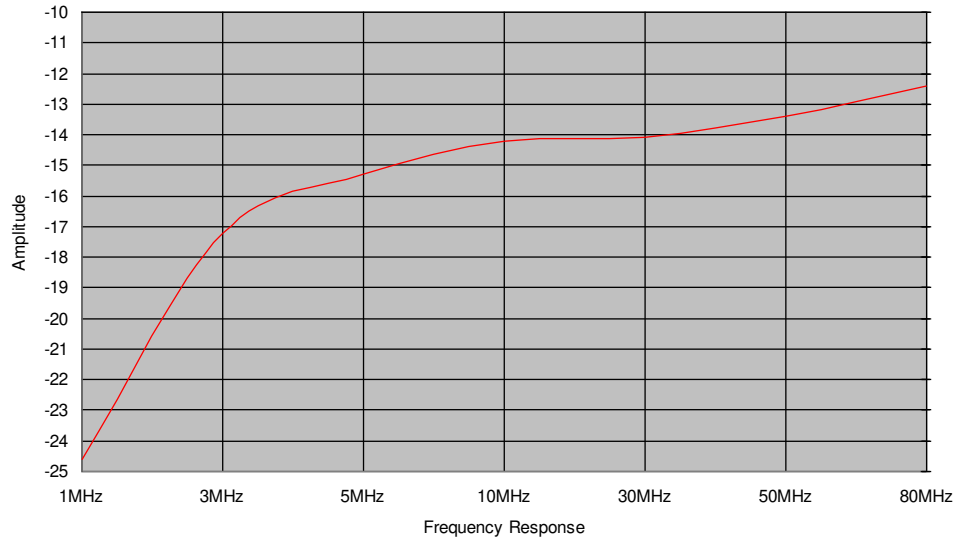
Specifications

Bandwidth
Max Sensitivity (V_{out} / I_{in} at 10MHz, 50 Ω load)
Load Impedance
Hole dimension
Operating temperature

2 MHz ÷ 100MHz
10 mV/mA
50 Ω
 Φ 140 mm
-20°C +70 C

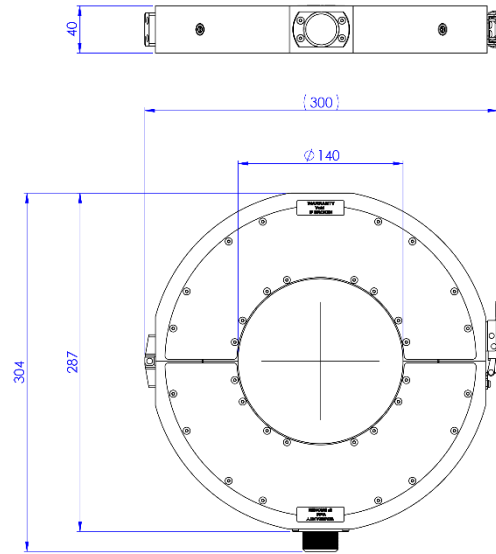
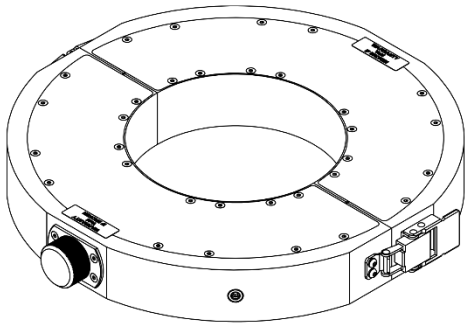
HFCT 140mm

Frequency Response



Mechanical Specification

Dimensions:
310 mm x 320 mm x 40 mm



Suitable For

HVAC CABLE	MVAC CABLE	HVDC CABLE	MOTOR	GENERATOR	PWM VSD	GIS GIL GIB	SWITCH BOARDS	OUTDO OR INSULATOR	HV TRAF0	MV TRAF0	TA/TV
------------	------------	------------	-------	-----------	---------	-------------	---------------	--------------------	----------	----------	-------

Several different sensors are available, fully compatible with Techimp Global Diagnostic platform. They can be freely combined at customer needs provided they can be applied for the specific application.

ALTANOVA
GROUP
www.altanova-group.com

TECHIMP
TECHIMP - ALTANOVA GROUP
Via Toscana 11,
40069 Zola Predosa (Bo) - Italy
T +39 051 199 86 050
Email sales@altanova-group.com

isa
ISA - ALTANOVA GROUP
Via Prati Bassi 22,
21020 Taino (Va) - Italy
T +39 0331 95 60 81
Email isa@altanova-group.com

intelliSAW
intelliSAW - ALTANOVA GROUP
100 Burrtt Rd
Andover, MA 01810, USA
T +1 978-409-1534
Email contact@intellisaw.com