

high performance coupling capacitors

TCC 12 1.2nf

TCC12 is a capacitive coupler specifically designed for Partial Discharge measurements. Its extremely compact size makes it a good choice for on line and off line PD tests on rotating machines, for both spot measurements and permanent monitoring applications.

It can be permanently installed in terminal boxes of AC power generators as well as in power supply boxes of critical power motors or inside MV bus ducts. For permanent installation it must be fixed through the holes in the bottom flange. It can be installed in vertical position, upside down in and horizontal position. A BNC output termination and the grounding are available on the same flange.

TCC12 coupler contains an internal resistor which provides a suitable dividing ratio @50Hz and @60Hz for those equipment which require a synchronization signal. It also holds an internal overvoltage suppressor which keeps the output voltage below safety limits even in the presence of spikes and overvoltage transient peak on the bus bars.

TCC12 couplers are individually tested according to the following international standards: IEC60358; IEC60694; IEC60270. They are also tested at high vibration level in order to assure high reliability under the most severe conditions. Endurance voltage test showed an expected life (at rated voltage) in excess of 10^6 hours, i.e. larger than the expected life of any device it should be matched to.

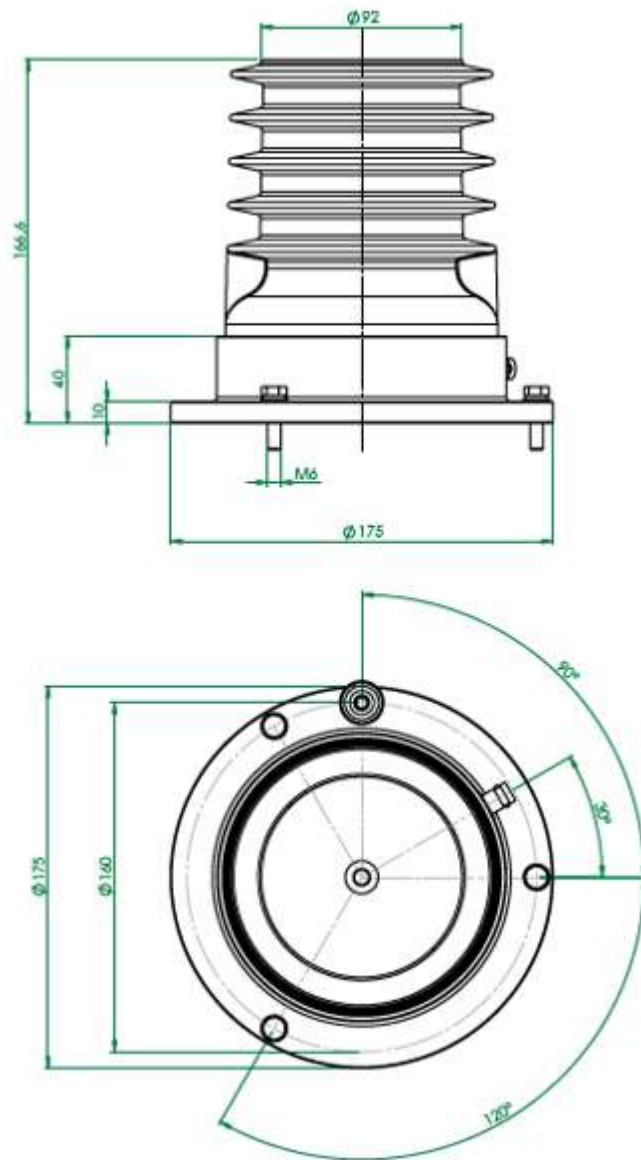


Specifications

Capacitance	1200pF \pm 10%
Capacitor type	Ceramic
Body material	Epoxy resin
High voltage frequency range	50 \pm 60 Hz
Rated Voltage (phase-to-phase)	12 kVrms
VO _{UT} @ Rated voltage	2.0 Vrms
High pass cut frequency (-6dB)	85 kHz
AC voltage withstand	28 kVrms
DC voltage withstand	75 kVpeak
Lightning pulse withstand	75 kVpeak
Creepage distance (IEC60815)	240mm (medium level pollution)
Tan δ	<0.3%
PD level @11.1kV / 50Hz	<2pC

ACC 12 1.2nf

Overall Dimensions



 Suitable For

MOTOR	GENERA TOR	PWM VSD	MV SWITCH GEAR	MV TRAFO
-------	---------------	------------	----------------------	-------------

Several different sensors are available, fully compatible with Techimp Global Diagnostic platform. They can be freely combined at customer needs provided they can be applied for the specific application.

ALTANOVA
GROUP
www.altanova-group.com

TECHIMP
TECHIMP - ALTANOVA GROUP
Via Toscana 11,
40069 Zola Predosa (Bo) - Italy
T +39 051 199 86 050
Email sales@altanova-group.com

isa
ISA - ALTANOVA GROUP
Via Prati Bassi 22,
21020 Taino (Va) - Italy
T +39 0331 95 60 81
Email isa@altanova-group.com

intelliSAW
intelliSAW - ALTANOVA GROUP
100 Burrtt Rd
Andover, MA 01810, USA
T +1 978-409-1534
Email contact@intellisaw.com